

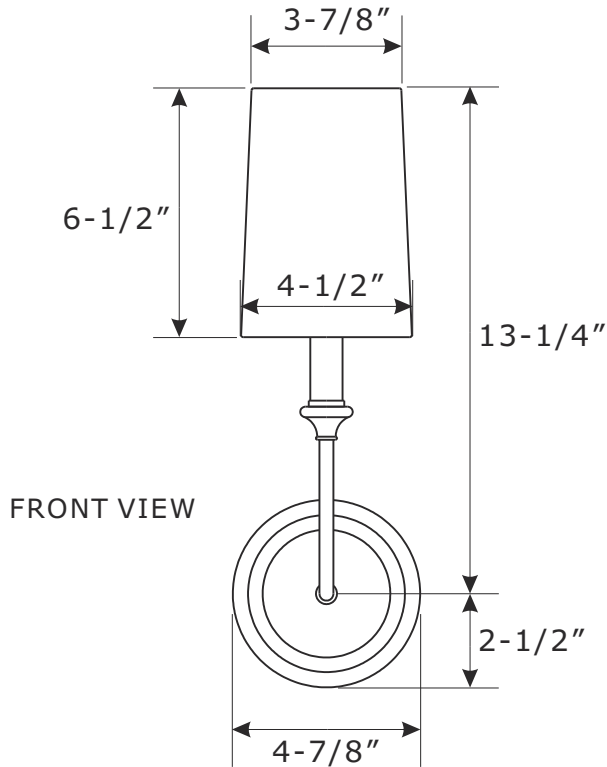
CRYSTORAMA

LIGHTING THE WAY FOR SIXTY YEARS



Crystorama.com

ASSEMBLY INSTRUCTION MODEL#2241-BF



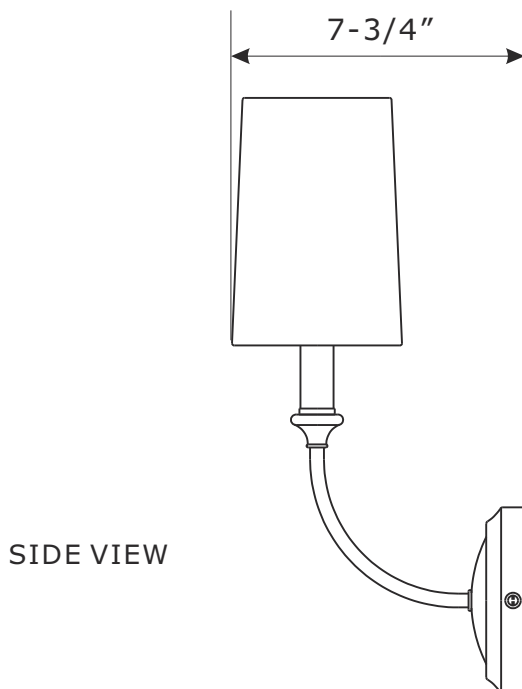
All electrical components must be installed by a licensed electrician in accordance with the National Electric Code and the appropriate local electrical codes.



You will need 1- Candelabra Base Bulb
40 Watts Recommended 60 Watts Max.
USE LED BULBS FOR EXTENDED USE
This fixture is Damp rated

How to install

1. Install the mounting plate to the outlet box using two outlet box screws.
2. Install backplate onto the mounting plate, and secure with the screws.
3. Install the fabric shade onto the candle sleeve.
4. Install the bulb(not included) into the socket.



WARNING: This product can expose you to Lead which is known to the state of California to cause cancer and/or birth defects or reproductive harm. For more information go to www.P65Warnings.ca.gov



ASSEMBLY INSTRUCTION MODEL#2241-BF

Part Number

Part Numbers

A. (1)-Mounting hardware

B. (1)-Mounting plate

C. (1)-Backplate W4-7/8"xH1-3/4" #XRF2241BFBKP4.875IN

D. (2)-Screw

E(A). (1)-Candle sleeve-DB W7/8"xL3-3/8" #XRF2241BFCDL3.375IN

E(B). (1)-Candle sleeve-WH W7/8"xL3-3/8" #XRF2241WHCDL3.375IN

F. (1)-Fabric shade W4-1/2"xH6-1/2" #XRF2241SHA6.5IN

