

# CRYST RAMA



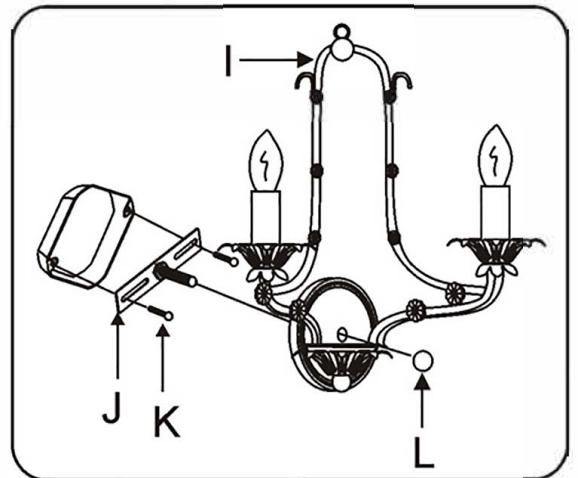
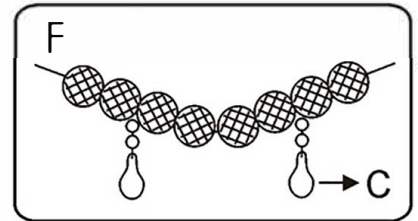
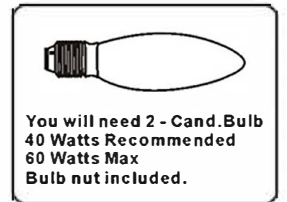
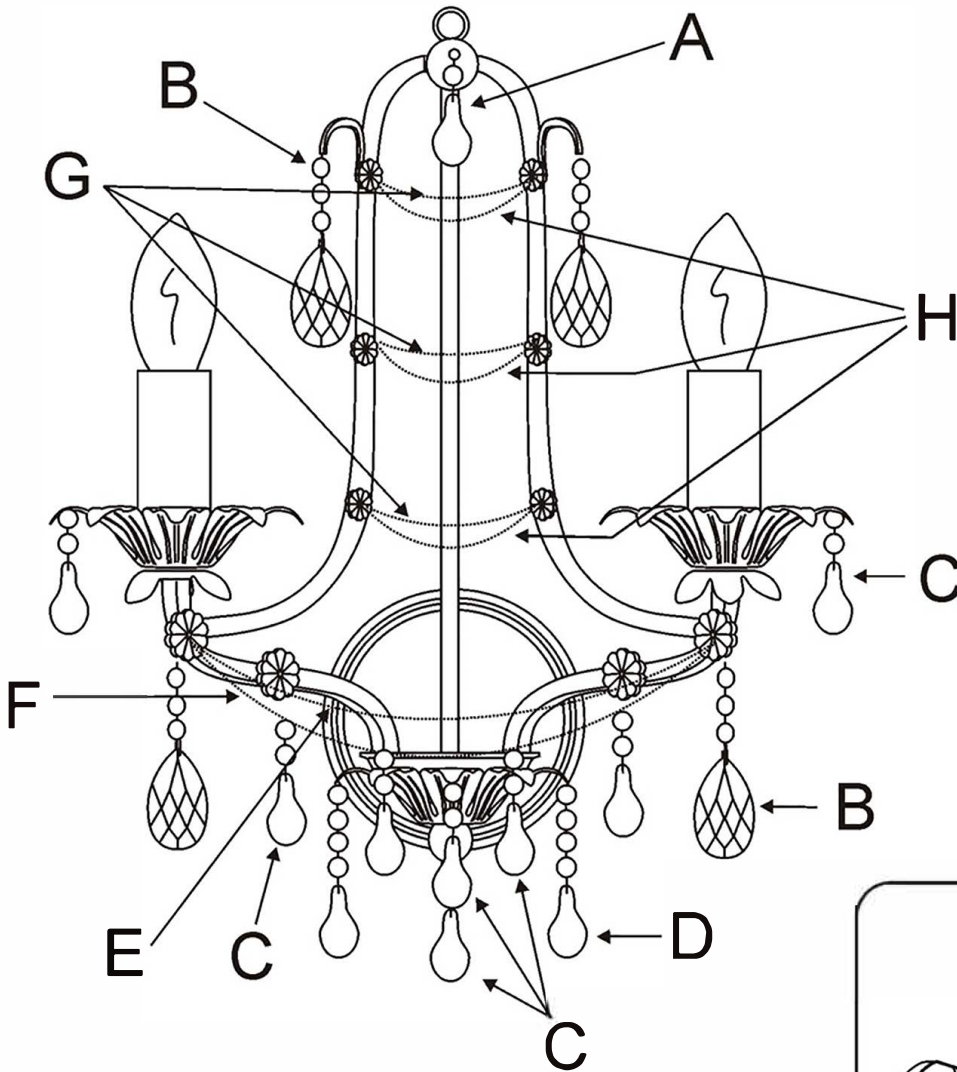
1958

95 Cantiague Rock Road, Westbury NY 11590  
 ph:516.931.9090 fax: 516. 931.1254  
 info@crystorama.com www.crystorama.com

## MODEL#:4612 ASSEMBLY AND DRESSING INSTRUCTIONS



All electrical components must be installed by a licensed electrician in accordance with the National Electric Code and the appropriate local electrical codes.



- A = (8mm + 14mm) \* 1set
- B = (6mm \* 3 + 50mm) \* 4sets
- C = (8mm \* 2 + 14mm) \* 14sets
- D = (8mm \* 4 + 14mm) \* 2sets
- E = 6mm \* 12 \* 1set
- F = (8mm \* 12 + 4C) \* 1set
- G = 6mm \* 4 \* 3sets
- H = 8mm \* 5 \* 3sets

### ASSEMBLY STEPS:

- 1) K → J
- 2) J.L → I
- 3) A.B.C.D → I