

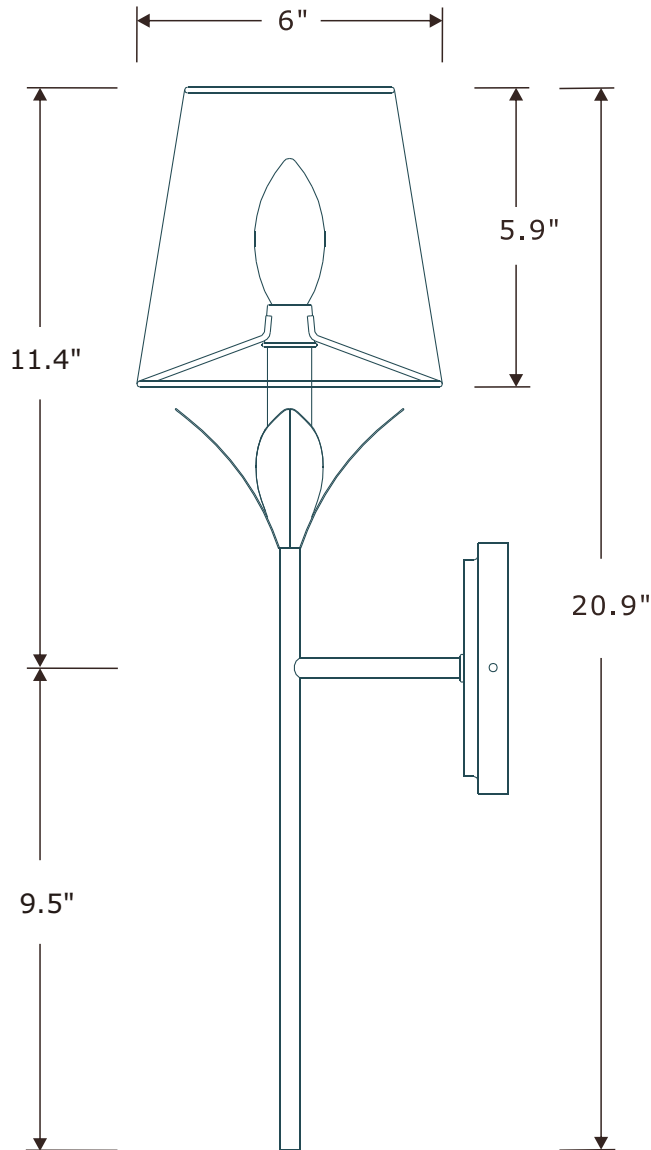
CRYSTORAMA

LIGHTING THE WAY FOR SIXTY YEARS

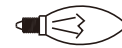


Crystorama.com

ASSEMBLY INSTRUCTION MODEL # 531-MT



All electrical components must be installed by a licensed electrician in accordance with the National Electric Code and the appropriate local electrical codes.



You will need 1 - Candelabra Base Bulb
40 Watts Recommended 60 Watts Max.

**USE LED BULBS FOR EXTENDED USE
THIS FIXTURE IS DRY RATED**

How to Install

1. Install the mounting plate onto the outlet box.
2. Place the backplate over the mounting plate and secure with the screws.
3. Place the candle sleeve over the socket and slide the fabric shade over the candle sleeve.
4. Install the bulb onto the socket.

WARNING: This product can expose you to Lead, which is known to the State of California to cause cancer and/or birth defects or reproductive harm. For more information go to www.P65Warnings.ca.gov.



PART NUMBER MODEL # 531-MT

Part Number

- A. (1) - Mounting Hardware
- B. (1) - Backplate(W4.9", H0.9") #XRE531MTBKP4.9IN
- C. (1) - Candle Sleeve(W0.87",H3.9") #XRE531MTCDL0.87IN
- D. (1) - White Fabric Shade #XRE531SHA6IN
- E. (2) - Screws

