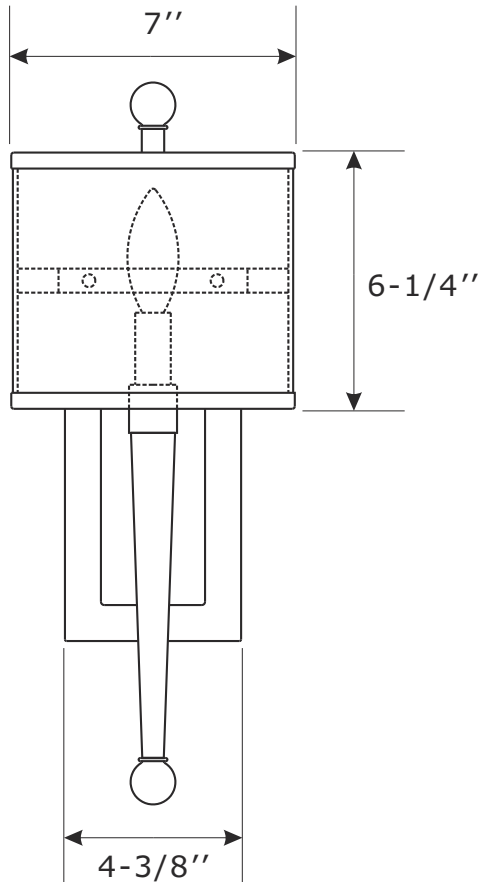


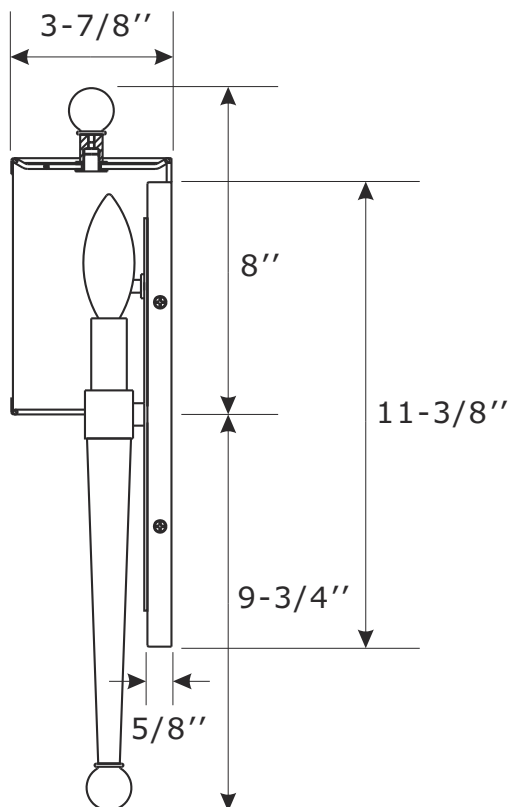


ASSEMBLY INSTRUCTION MODEL#ARD-832-MK-VG

FRONT VIEW



SIDE VIEW



All electrical components must be installed by a licensed electrician in accordance with the National Electric Code and the appropriate local electrical codes.



You will need 1- Candelabra Base Bulb
40 Watts Recommended 60 Watts Max.
USE LED BULBS FOR EXTENDED USE
This fixture is Damp rated

How to install

1. Place the mounting plate over the outlet box. Mark two points on the wall at the center of keyhole on the mounting plate.
2. Drill two holes at the marked points and insert the wall anchors.
3. Place the mounting plate over the outlet box and secure it with outlet box screws. Insert the anchor screws into the wall anchor inside the wall and tighten it by screw driver.
4. Install backplate onto the mounting plate, and secure with the screws.
5. Install the bulb(not included) into socket.
6. Install the fabric shade onto the backplate, and secure with the nut screws.
7. Thread the finial into the top of fabric shade.
8. Thread the tail onto the bottom of socket.



ASSEMBLY INSTRUCTION MODEL #ARD-832-MK-VG

Part Number

Part Numbers

- A. (1)-Mounting hardware
- B. (1)-Mounting plate
- C. (1)-Backplate L11-3/8"xW4-3/8"xH5/8" #XRF832MKVGBKP11.5IN
- D. (4)-Screw
- E. (1)-Tail
- F. (1)-Candle sleeve W7/8"xL2"
- G. (2)-Nut screw
- H. (1)-Fabric shade #XRF832SHA7IN
- I. (1)-Finial #XRF832VGBALL

