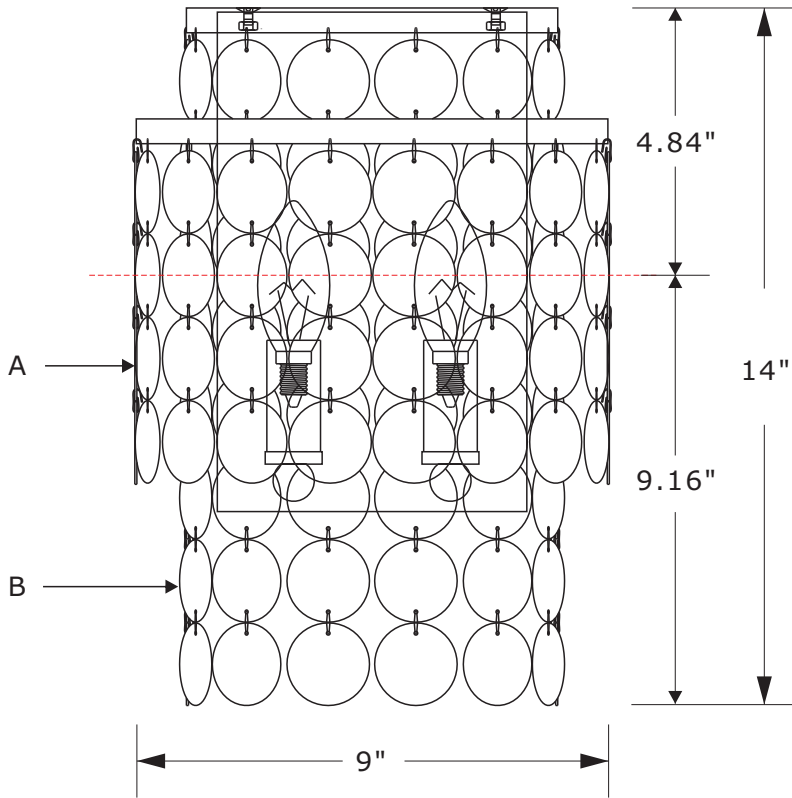


CRYSTORAMA

LIGHTING THE WAY FOR SIXTY YEARS

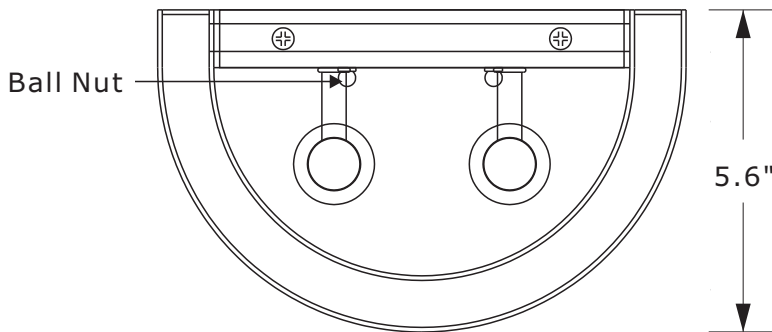
ASSEMBLY INSTRUCTION MODEL #BRI-3002-SA



All electrical components must be installed by a licensed electrician in accordance with the National Electric Code and the appropriate local electrical codes.



You will need 2 -Candelabra Base Bulb
40 Watts Recommended 60 Watts Max.
USE LED BULBS FOR EXTENDED USE



How to Install

1. Do a complete inventory of all parts and components before you start installation.
2. Install the backplate onto the outlet box, by securing it with the ball nuts.
3. Place the candle sleeve onto the socket, and insert recommended bulb (not included).
4. Dress the fixture with capiz shells "A" and "B" as illustrated.

Capiz Shell Sets

A. 10 Sets.
(4) 40mm

B. 8 Sets.
(8) 40mm



● 5 SPARE 2 HOLE CAPIZ SHELLS

● 2 SPARE 1 HOLE CAPIZ SHELLS

WARNING: This product can expose you to Lead, which is known to the State of California to cause cancer and/or birth defects or reproductive harm. For more information go to www.P65Warnings.ca.gov.

CRYSTORAMA

LIGHTING THE WAY FOR SIXTY YEARS

PART NUMBER MODEL #BRI-3002-SA

Part Number

- A. (1) - Mounting Hardware
- B. (2) - Ball Nut #XRE3002SABANUT
- C. (2) - Flat Screw
- D. (2) - Candle Sleeve(W0.87",H1.97") #XRE3002SACDL1.97IN
- E. (1) - Backplate(W5".H9.5",D0.75") #XRE3002SABKP5IN

