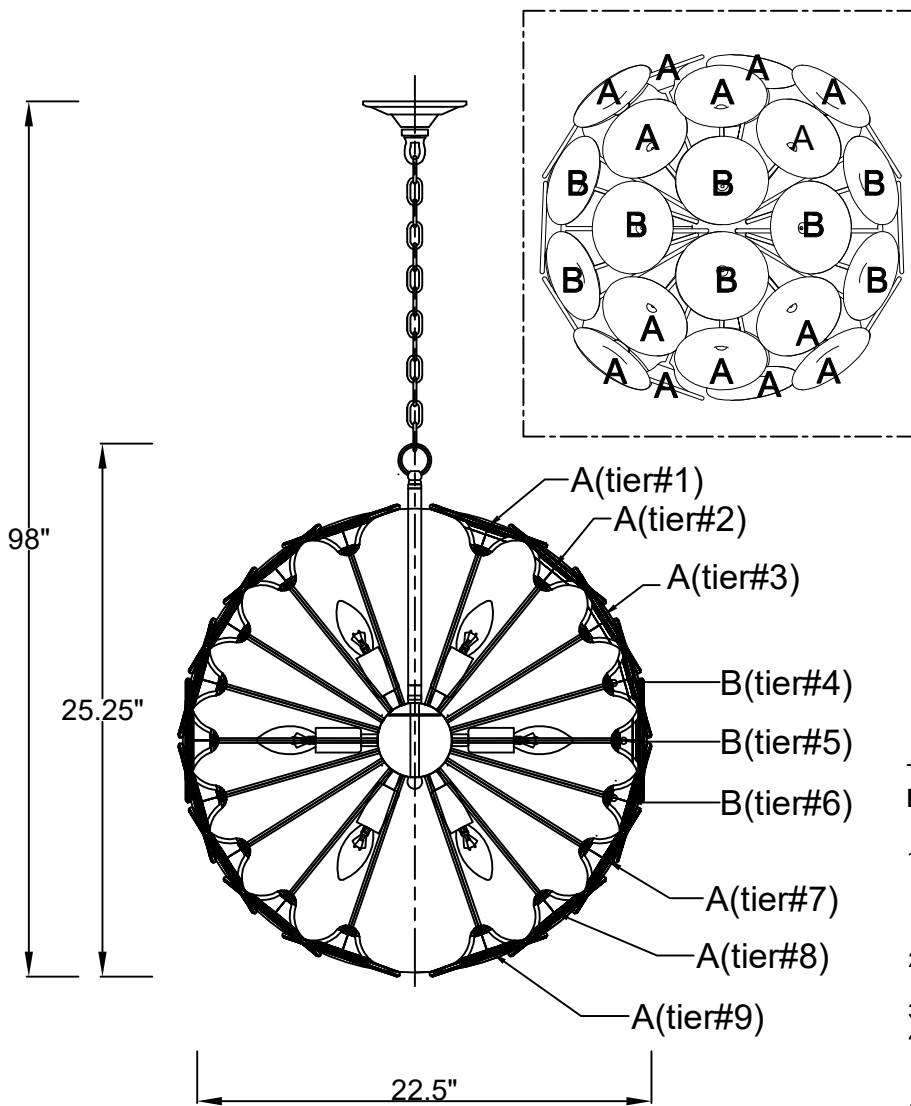


CRYSTORAMA



LIGHTING THE WAY FOR SIXTY YEARS

ASSEMBLY INSTRUCTION MODEL #ESM-4006-AG-GR



All electrical components must be installed by a licensed electrician in accordance with the National Electric Code and the appropriate local electrical codes.



You will need 9-Candelabra Base Bulb

40 Watts Recommended 60 Watts Max

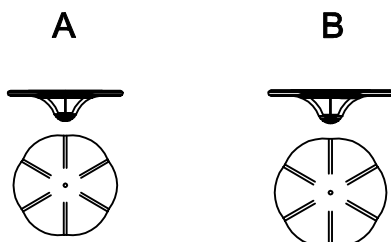
USE LED BULBS FOR EXTENDED USE

This fixture is Dry rated

How to Install

1. Slip the threaded pipe through the wire and screw the threaded pipe into the coupler on top of the frame and slide the metal tube over the threaded pipe. Secure with the fixture loop.
2. Decide the preferred hanging height and choose the correct length of chain needed.
3. Install the mounting strap onto the outlet box.
4. Raise the fixture up to the ceiling and do the wire connection. Secure the canopy over the outlet box using the collar ring.
5. Screw the small rods onto the frame then install the glass as illustrated and secure it with the ball nut.

DETAILED ILLUSTRATION



Crystal Sets

A. 30Sets. (1)125mm

B. 18Sets. (1)135mm

WARNING: This product can expose you to Lead, which is known to the State of California to cause cancer and/or birth defects or reproductive harm. For more information go to www.P65Warnings.ca.gov

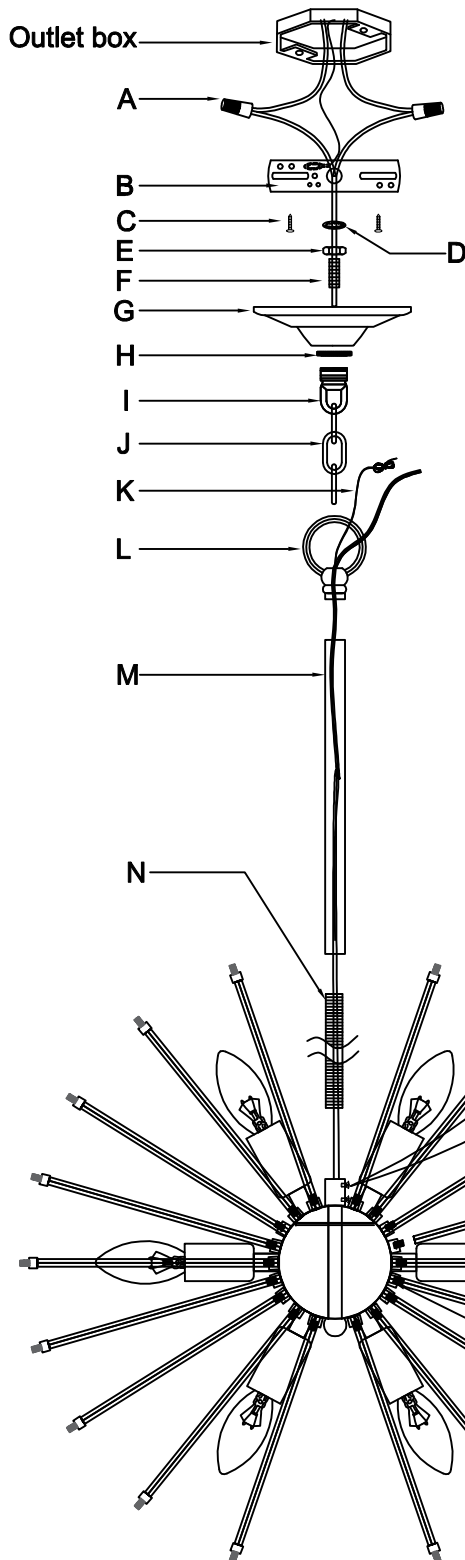
CRYSTORAMA



Crystorama.com

LIGHTING THE WAY FOR SIXTY YEARS

PART NUMBER MODEL #ESM-4006-AG-GR



Part Number

Part Numbers

- A. (2)-Wire Connector
- B. (1)-Mounting Strap
- C. (2)-Outlet Box Screws
- D. (1)-Lock washer
- E. (1)-Hex Nut
- F. (1)-Nipple
- G. (1)-Canopy; w5" x h1.25" (XFB4006AGCAN5IN)
- H. (1)-Collar Ring
- I. (1)-Collar Loop
- J. (1)-Chain; 72", 5mm (XFB4006AGCHA5MM)
- K. (1)-Ground Wire
- L. (1)-Fixture Loop
- M. (1)-Metal Tube; 10", 16MM thickness
- N. (1)-Threaded Pipe; 10.6", 12MM thickness
- O. (1)-Frame
- P. (48)-Small rod; 7.5", 5.6MM thickness
- Q. (96)-Washer
- R. (48)-Ball Nut (XFB4006AGBANUT)

PART BAG I : Includes Parts A, C

PART BAG II : Includes Parts B, D, E, F, H, I

Before screwing the threaded pipe, please loosen the set screws on the side of the coupling, tighten it when the threaded pipe is screwed all the way down.

Suggest adding extra plastic washer to secure the glass if one is not enough.