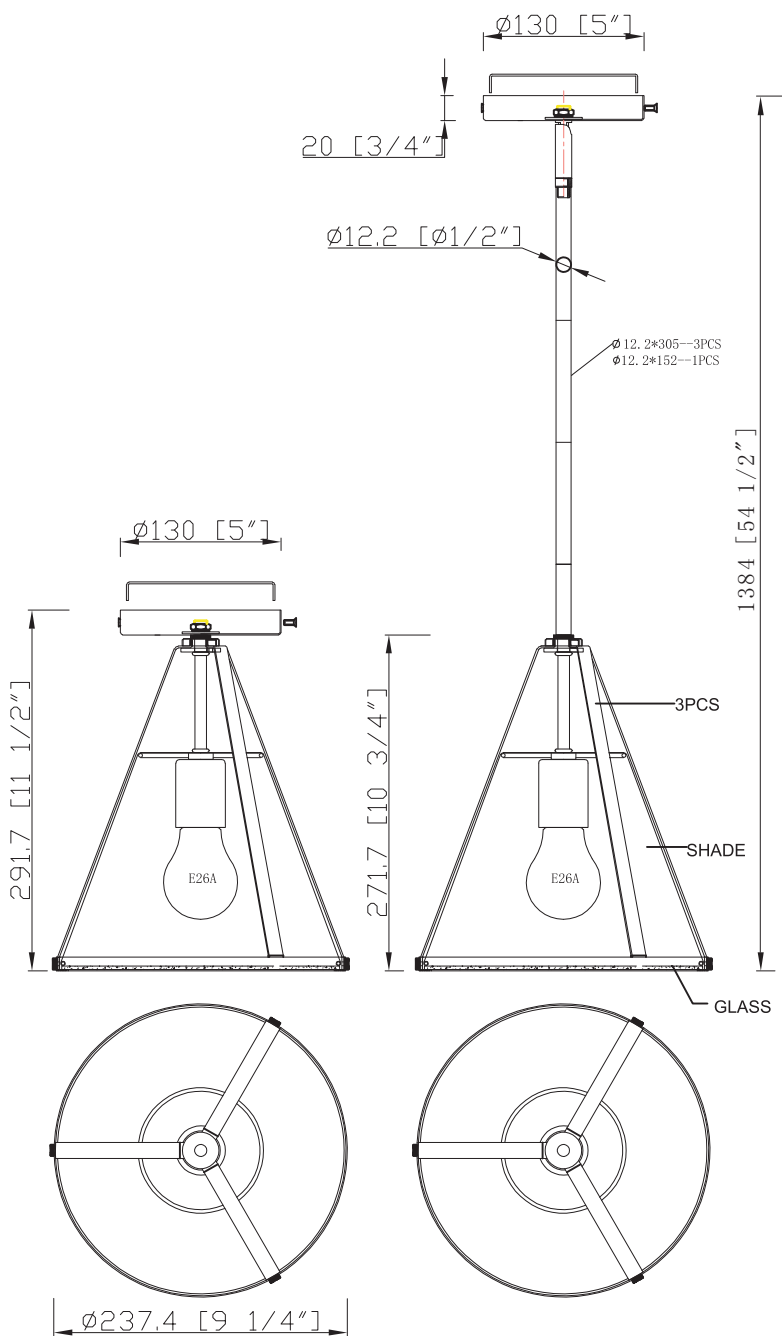


CRYSTORAMA

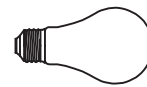


LIGHTING THE WAY FOR SIXTY YEARS

ASSEMBLY INSTRUCTION MODEL #FUL-900-BK_CEILING



All electrical components must be installed by a licensed electrician in accordance with the National Electric Code and the appropriate local electrical codes.



You will need 1 - Med. Base Bulb
60 Watts Recommended 60 Watts Max

USE LED BULBS FOR EXTENDED USE
THIS FIXTURE IS Dry RATED

How to Install

Place the fixture frame on a soft cloth covered platform before installation of the fixture.

For hanging:

1. Install the Bulb (Not included) into the socket.
2. Place the band over the shade with the smaller hole facing upwards and cover the end with the cap. Secure in place loosely with the check ring (Do not tighten until Step #3 is completed).
3. Two people are recommended for this step. Place the glass diffuser inside the bottom ring and secure with the clips. While one person is holding the bottom ring, the other is to align the holes on the bottom ring with the holes on the band then secure with the cap nuts.
4. Decide the preferred hanging height and choose the correct length of rods needed.
5. Slip the wires through the rods, swivel and canopy then screw the rods together. Screw one end of the rod assembly onto the top of the shade and the other end onto the swivel.
6. Install the mounting strap onto the outlet box.
7. Raise the fixture up over the outlet box and do the wire connections. Secure the canopy with screws.

For Ceiling:

1. Repeat Step #1-#3 above.
2. Remove the swivel on the canopy and then attach the canopy onto the top of the shade using the hex nut.

How to replace the bulb:

Two people are recommended for replacing the bulb.

1. Loosen the cap nuts to release the bottom ring from the shade.
2. Install the new bulb onto the socket.
3. While one person is holding the bottom ring, the other is to align the holes on the bottom ring with the holes on the band then secure with the cap.



WARNING: This product can expose you to Lead, which is known to the State of California to cause cancer and/or birth defects or reproductive harm. For more information go to www.P65Warnings.ca.gov

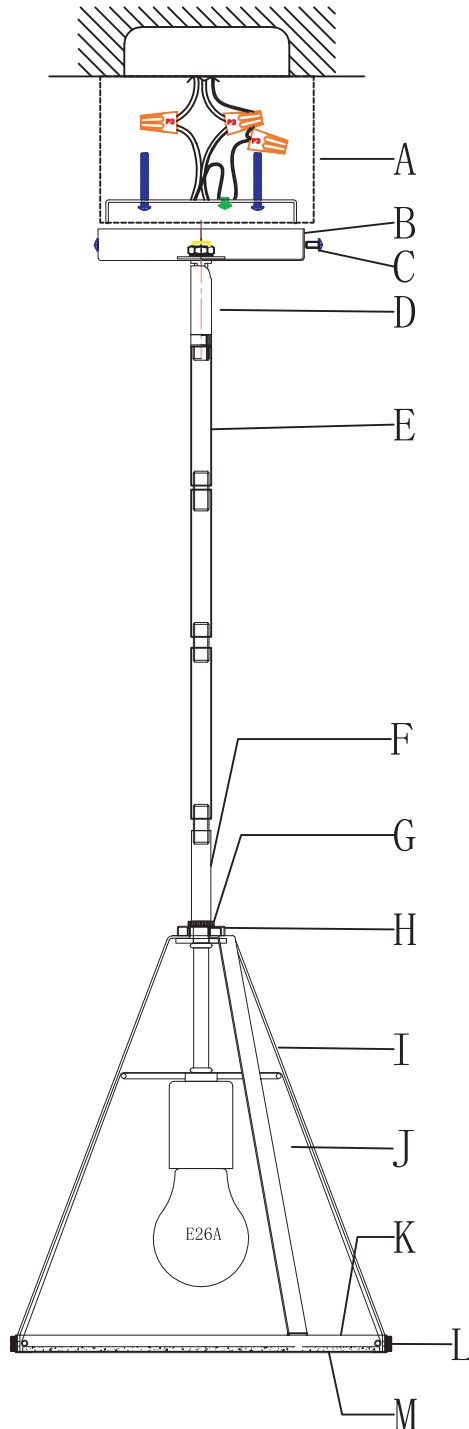
CRYSTORAMA

LIGHTING THE WAY FOR SIXTY YEARS



Crystorama.com

ASSEMBLY INSTRUCTION MODEL #FUL-900-BK_CEILING



Part Number

Part Number

A. (1) Mounting hardware

B. (1) Canopy $\varnothing 5'' * H 0.75''$

XAR900BKCAN5IN

C. (2) Screws

D. (1) Swivel

E. (3) Rod; $\varnothing 0.5'' * L 12''$ XAR900BKROD12IN

F. (1) Rod; $\varnothing 0.5'' * L 6''$ XAR900BKROD6IN

G. (1) Check Ring;

H. (1) Cap;

I. (3) Metal band; XAR900BKBAND

J. (1) Fabric shade $\varnothing 9.25'' * H 6.75''$

XAR900SHA9.25IN

K. (1) Bottom ring

L. (3) Cap nut

M. (1) Glass Diffuser $\varnothing 8.5''$; XAR900DIF8.5IN