

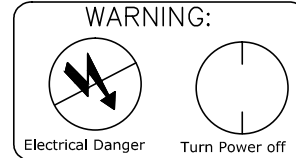
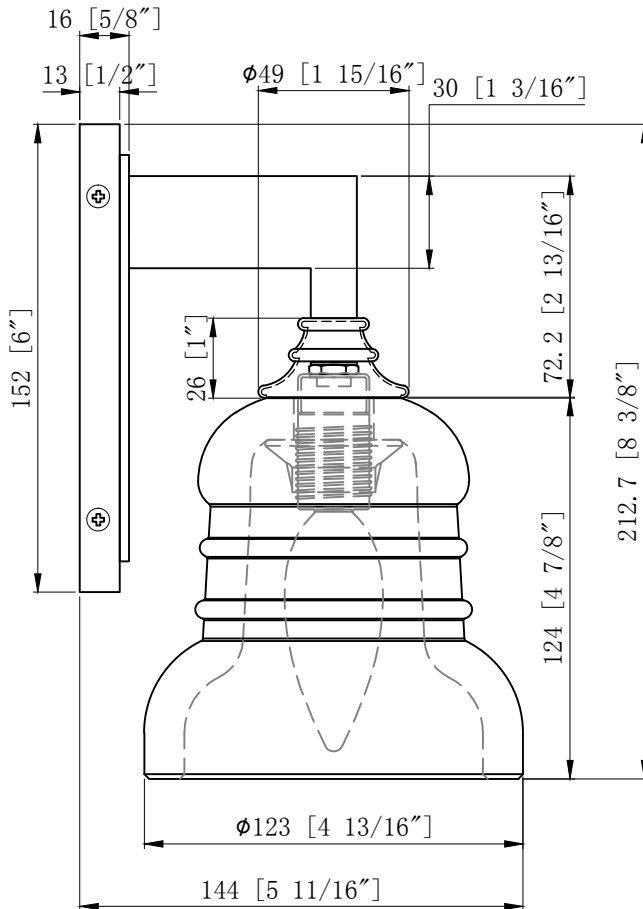
CRYSTORAMA

LIGHTING THE WAY FOR SIXTY YEARS

ASSEMBLY INSTRUCTION MODEL #GRG-1041-AG



Drawing (1)



All electrical components must be installed by a licensed electrician in accordance with the National Electric Code and the appropriate local electrical codes.



You will need 1-Cand.Bulb
25 Watts Recommended 40 Watts Max.
USE LED BULBS FOR EXTENDED USE
THIS FIXTURE IS DAMP RATED

How to install for hanging:

Please place the fixture frame on a soft cloth covered table before the installation.

1. Attach the mounting plate onto the outlet box using two outlet box screws.
2. Attach the backplate onto the mounting plate and secure with the screws.
3. Install the glass shade over the socket and secure with the socket ring using the wrench.

WARNING: This product can expose you to Lead which is known to the state of California to cause cancer and/or birth defects or reproductive harm. For more information go to www.P65Warnings.ca.gov

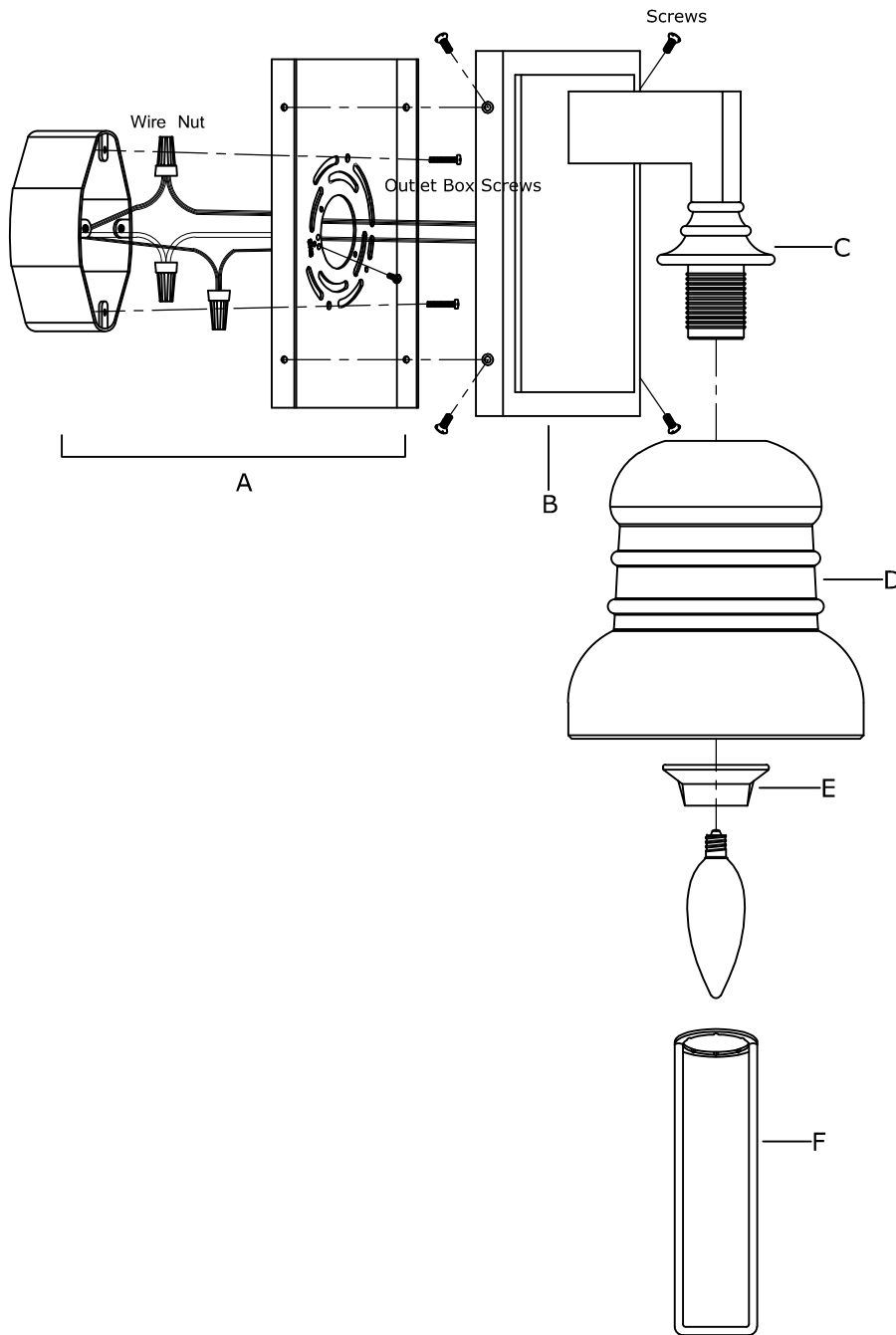
CRYSTORAMA

LIGHTING THE WAY FOR SIXTY YEARS

PART NUMBER MODEL #GRG-1041-AG



Crystorama.com



Part Number

Part Numbers

A. Mounting Hardware

(1) Mounting Plate

(4) Screws

(3) Wire Nut

(2) Outlet box Screws

B. (1) Backplate:

W4.5" x H6" x D.5",

XME1041AGBKP6IN

C. (1) Socket

D. (1) Glass Shade; W5" x H5",

XME1040GLA5IN

E. (1) Socket Ring

F. (1) Wrench