

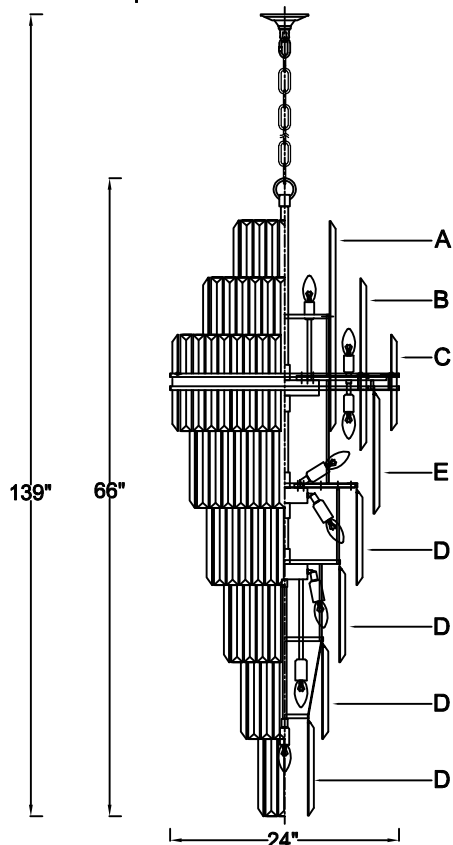
CRYSTORAMA



LIGHTING THE WAY FOR SIXTY YEARS

ASSEMBLY INSTRUCTION MODEL #HAY-1419-AG

There is a safety cable supplied with this fixture, as it weighs over 50lbs. The fixture should be mounted to the ceiling independent of the outlet box.



All electrical components must be installed by a licensed electrician in accordance with the National Electric Code and the appropriate local electrical codes.



You will need 31-Candelabra Base Bulb
25 Watts Recommended 40 Watts Max

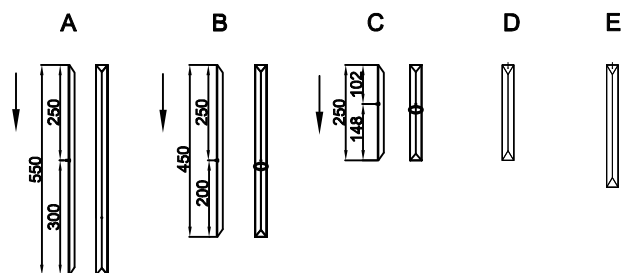
USE LED BULBS FOR EXTENDED USE

This fixture is Dry rated

How to Install

1. Decide the preferred hanging height and choose the correct length of chain needed.
2. Screw the metal rod onto the frame.
3. After safety attaching fixture onto the outlet box, install bulbs (not included) and proceed to connecting the power.
4. When you begin to dress the fixture, start with crystal labeled (A). Pass the nipple on the side of crystal rod through the hole on the top banding and secure the rod with the ball nut.
5. Insert the Crystal rod (B) and (C) onto the frame.
6. Hang the crystal rod (D) and (E) onto the frame.

DETAILED ILLUSTRATION



Crystal Sets

- A. 18Sets. (1)30x550mm
- B. 30Sets. (1)30x450mm
- C. 48Sets. (1)30x250mm
- D. 92Sets. (1)30x250mm
- E. 42Sets. (1)30x320mm

When dressing the crystals, install the crystal so the shorter end faces toward the ceiling.

WARNING: This product can expose you to Lead, which is known to the State of California to cause cancer and/or birth defects or reproductive harm. For more information go to www.P65Warnings.ca.gov

CRYSTORAMA



Crystorama.com

LIGHTING THE WAY FOR SIXTY YEARS

PART NUMBER MODEL #HAY-1419-AG

Part Number

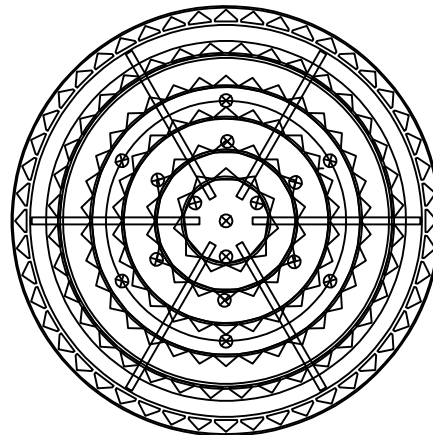
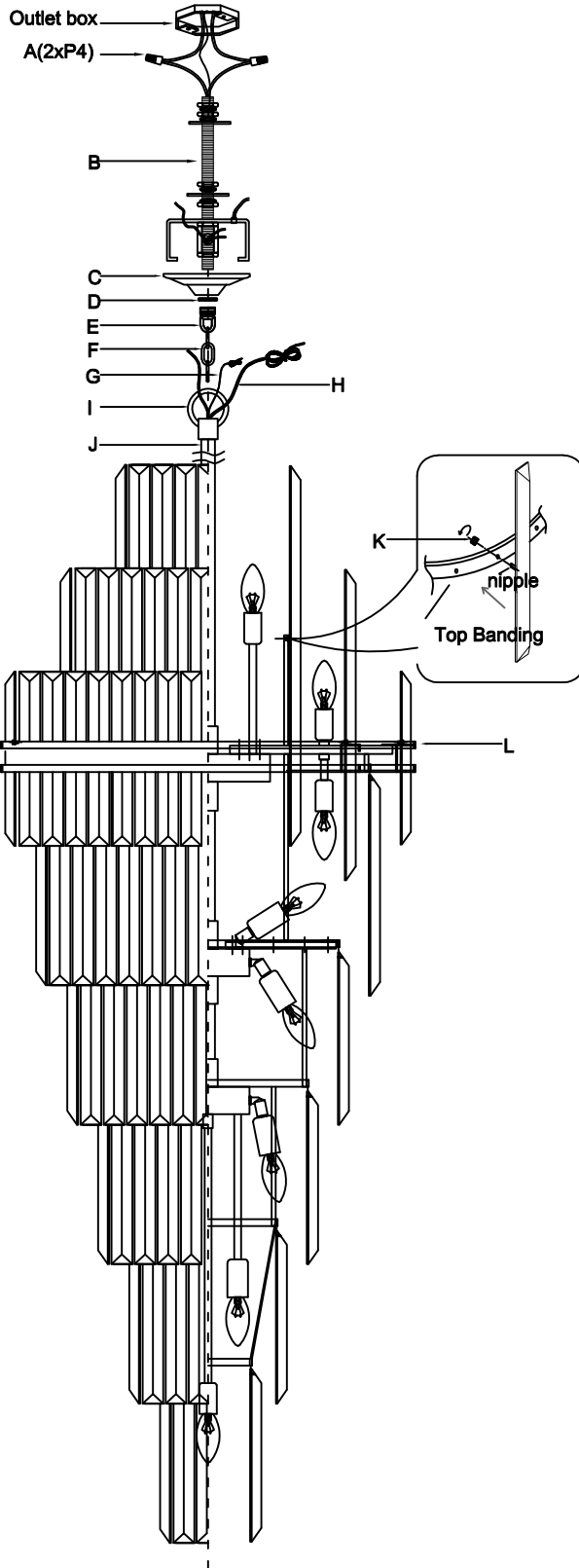
Part Numbers

- A. (2)-Wire Connector
- B. (1)-Heavy Duty Mounting Hardware
- C. (1)-Canopy; w6" x h1.25" (XFB1407AGCAN5IN)
- D. (1)-Collar Ring
- E. (1)-Collar Loop
- F. (1)-Chain; 72", 6mm (XFB1409AGCHA6MM)
- G. (1)-Cable Wire
- H. (1)-Ground Wire
- I. (1)-Fixture Loop
- J. (1)-Metal Rod; 18.3", 20MM (XFB1419AGROD18.3IN)
- K. (18)-Ball Nut
- L. (1)-Frame

PART BAG I : Includes Parts A

PART BAG II : Includes Parts B,D,E

PART BAG III: Includes Parts K



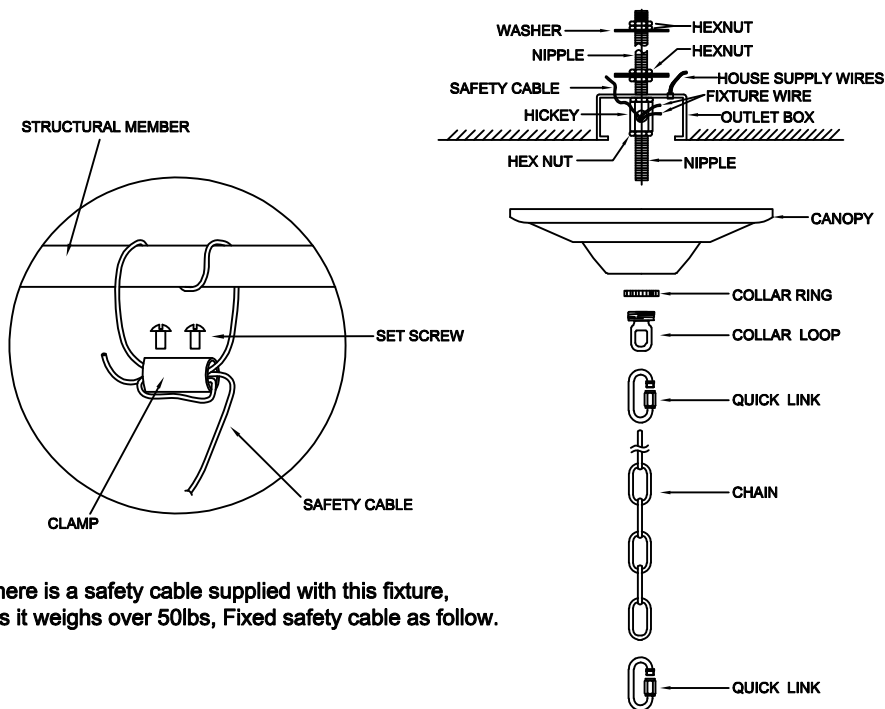
CRYSTORAMA



LIGHTING THE WAY FOR SIXTY YEARS

PART NUMBER MODEL #HAY-1419-AG

SAFETY CABLE INSTALLATION INSTRUCTIONS



There is a safety cable supplied with this fixture, as it weighs over 50lbs, Fixed safety cable as follow.

IMPORTANT:

FOR A SAFE AND SECURE INSTALLATION, THESE FIXTURES MUST BE INSTALLED BY MEANS OF SUPPORTS THAT ARE INDEPENDENT OF THE OUTLET BOX.

SUGGESTED INSTALLATION:

1. Provide a 1/4 IPS pipe with one end securely mounted to a beam or a structural member. The other end should protrude through the center of the outlet, as shown.
2. Assemble the screw collar loop, nipple, hex nuts and hickey to center 1/4 IPS support pipe and adjust overall length to allow the collar ring to hold the canopy flush to the ceiling. When the adjustments have been completed secure the hex nut, as shown.
3. Use one quick link to connect fixture loop and the bottom of chain. Slide the screw collar ring over the upper end of the chain, through the (Finished side down). Then use another quick link to connect collar loop and the top of chain.
4. Lace the fixture wires, ground wires and safety cable through the chain and screw collar loop, exiting through the side of HICKEY. Proceed to attach the FIXTURE GROUND WIRE to HOUSE GROUND WIRE using wire connector. Using wire connectors, connect the HOUSE WHITE WIRE to the FIXTURE SUPPLY WIRE (WHITE OR RIBBED SIDE); connect the HOUSE BLACK (or RED) WIRE to the FIXTURE SUPPLY WIRE (BLACK or SMOOTH SIDE). Wrap all connectors with approved electrical tape. Wrap safety cable around outlet box brace and pull cable taut. Secure cable with the clamp and (2) set screws provided, as shown.
5. Push the CANOPY upward over the OUTLET BOX. Be sure that all wires are carefully tucked into the OUTLET BOX cavity. Secure canopy against ceiling by threading CANOPY LOCK RING onto the CANOPY LOOP. Tighten until snug.