

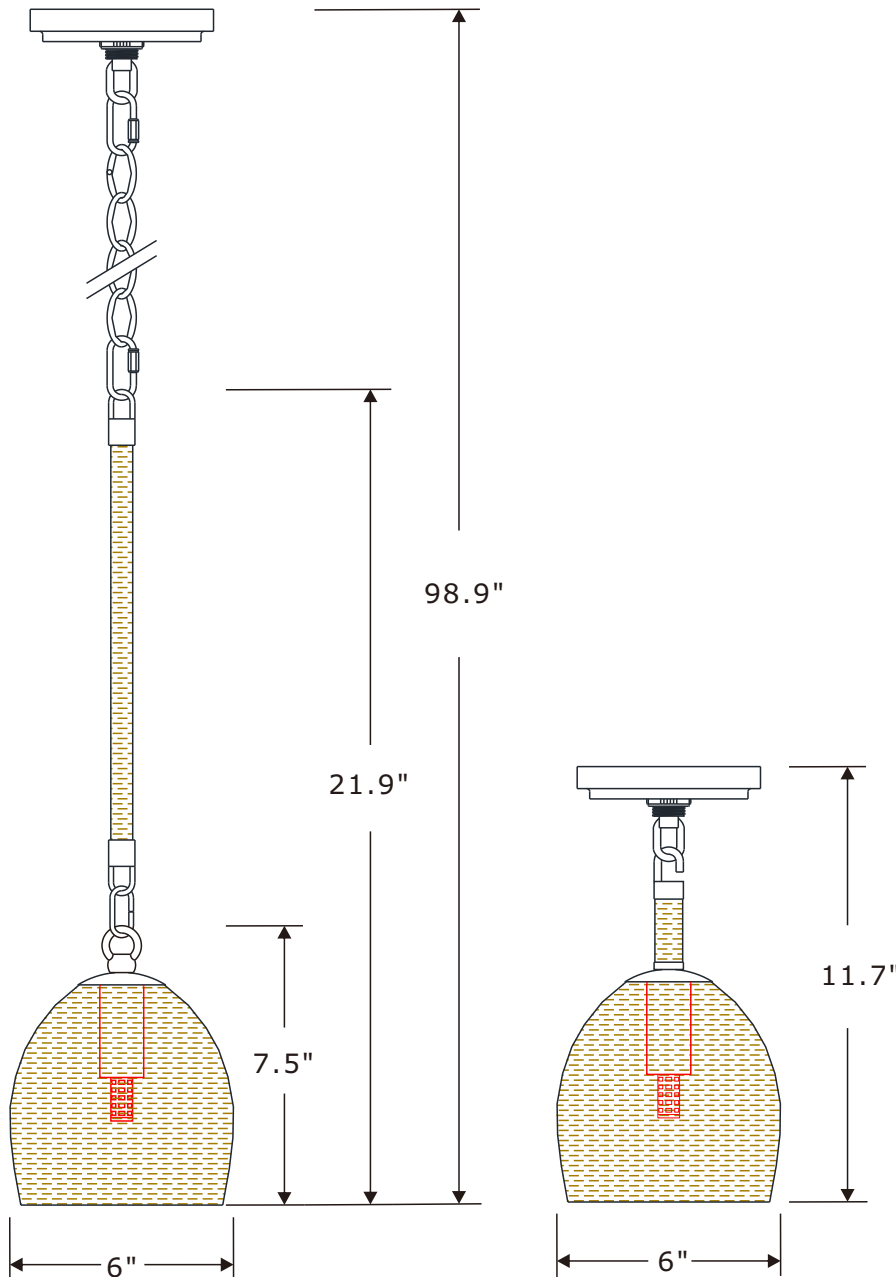
# CRYSTORAMA

LIGHTING THE WAY FOR SIXTY YEARS



Crystorama.com

## ASSEMBLY INSTRUCTION MODEL # JAC-10502-SG\_CEILING



All electrical components must be installed by a licensed electrician in accordance with the National Electric Code and the appropriate local electrical codes.



You will need 1 -LED G9 Bulb  
3.5 Watts Max (Included)  
USE LED BULBS FOR EXTENDED USE  
THIS FIXTURE IS DAMP RATED

### How to Install

#### For Hanging:

1. Feed the wire through the chain link and long rod. Hook the chain link onto the loop of the long rod. Close the link using the plier. (To prevent damage to the paint, please wrap a cloth around the plier when using)
2. Decide the preferred hanging height and choose the correct chain length needed.
3. Install the mounting strap onto the outlet box.
4. Raise the fixture up to the ceiling, and do the wire connections. Secure the canopy to the ceiling with the collar ring.
5. Install the bulb.

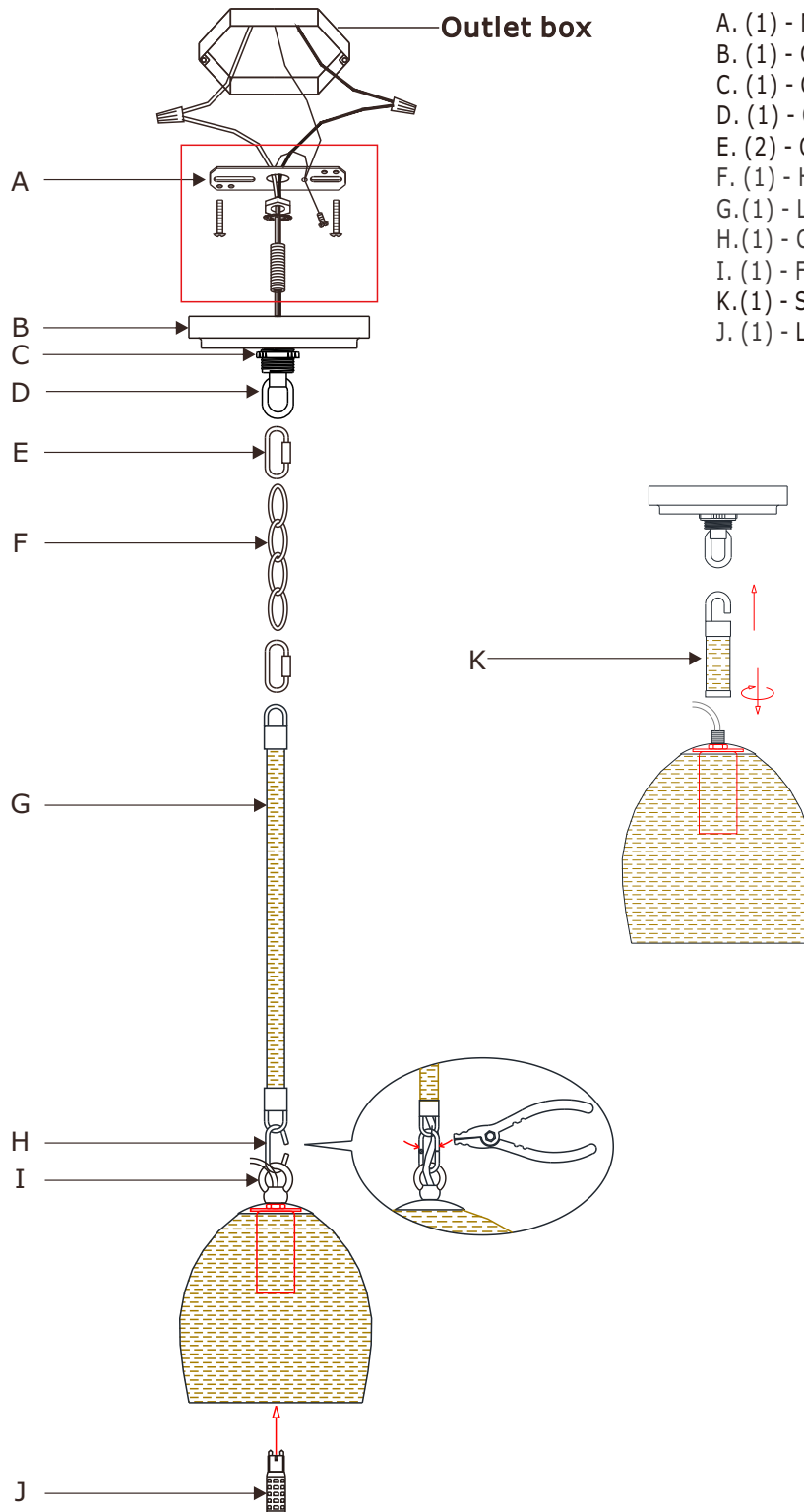
#### For Ceiling:

1. Remove the fixture loop from the top of the frame, and screw the short rod onto the frame.
2. Feed the wire through the short rod. And then attach the short rod onto the fixture.
3. Repeat step #3-5 above.

**WARNING:** This product can expose you to Lead, which is known to the State of California to cause cancer and/or birth defects or reproductive harm. For more information go to [www.P65Warnings.ca.gov](http://www.P65Warnings.ca.gov).

PART NUMBER MODEL # JAC-10502-SG\_CEILING

## Part Number



- A. (1) - Mounting Hardware
- B. (1) - Canopy(W4.92",H0.87") #XRE10502SGCAN4.92IN
- C. (1) - Collar Ring
- D. (1) - Collar Loop
- E. (2) - Quick Link(4mm)
- F. (1) - Hanging Chain(72",3.2mm) #XRE10502SGCHA3.2MM
- G. (1) - Long Rod #XRE10502SGROD12IN
- H. (1) - Chain Link(3.2mm)
- I. (1) - Fixture Loop
- K. (1) - Short Rod #XRE10502SGROD2IN
- J. (1) - LED G9 Bulb