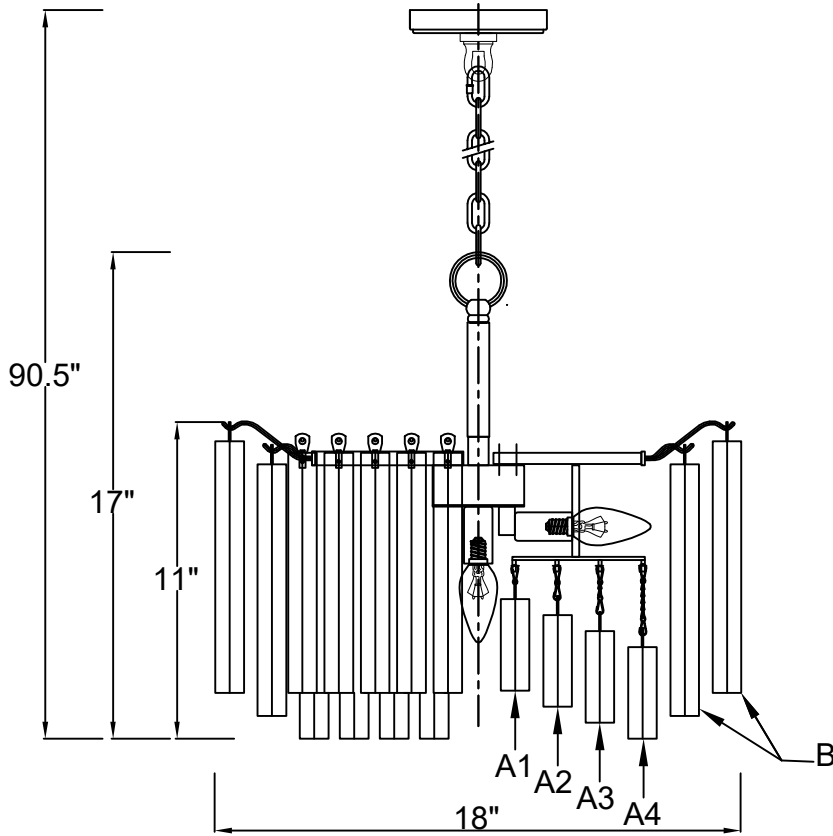


CRYSTORAMA



LIGHTING THE WAY FOR SIXTY YEARS

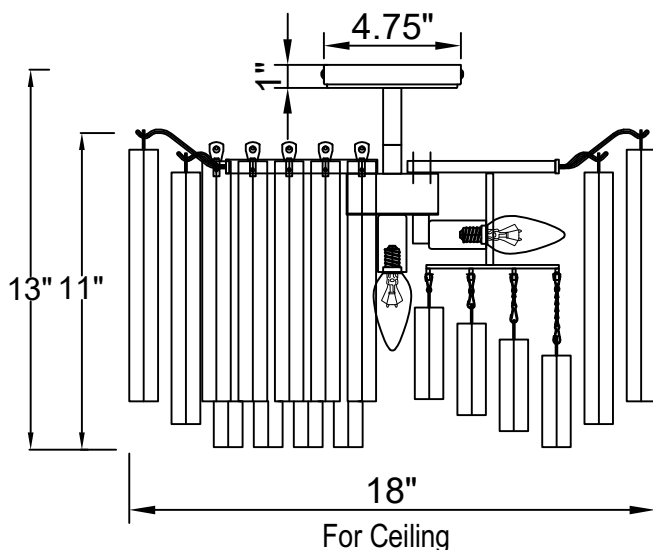
ASSEMBLY INSTRUCTION MODEL #LOF-5005-AG



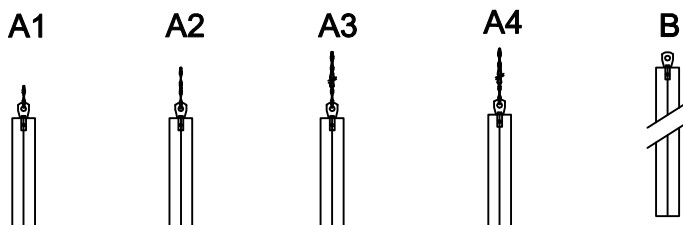
All electrical components must be installed by a licensed electrician in accordance with the National Electric Code and the appropriate local electrical codes.



**You will need 5-Candelabra Base Bulb
40 Watts Recommended 60 Watts Max
USE LED BULBS FOR EXTENDED USE
This fixture is Dry rated**



DETAILED ILLUSTRATION



How to Install For Hanging:

1. Slip the wire through the threaded pipe, then screw the threaded pipe into the coupler on the top of the frame. Slide the metal tube over the threaded pipe and secure with the fixture loop.
2. Decide the preferred hanging height and choose the correct length of chain needed.
3. Install the mounting bar on the outlet box.
4. Raise the fixture up to the ceiling and do the wire connections. Secure the canopy over the outlet box using the collar ring.
5. Dress the crystals as illustrated.

For Ceiling:

1. Screw the canopy for the ceiling mount onto the top of the frame.
2. Install the mounting plate onto the outlet box.
3. Raise the fixture up to the ceiling and do the wire connections. Secure the canopy over the mounting plate using the screws.

Crystal Sets

- A1. 6Sets. (1)25x80mm + Chain&Pin Total length 107mm
- A2. 14Sets. (1)25x80mm + Chain&Pin Total length 121mm
- A3. 22Sets. (1)25x80mm + Chain&Pin Total length 135mm
- A4. 30Sets. (1)25x80mm + Chain&Pin Total length 149mm
- B. 80Sets. (1)25x220mm

WARNING: This product can expose you to Lead, which is known to the State of California to cause cancer and/or birth defects or reproductive harm. For more information go to www.P65Warnings.ca.gov

CRYSTORAMA



LIGHTING THE WAY FOR SIXTY YEARS

PART NUMBER MODEL #LOF-5005-AG

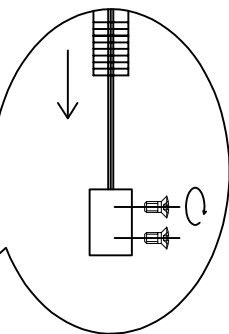
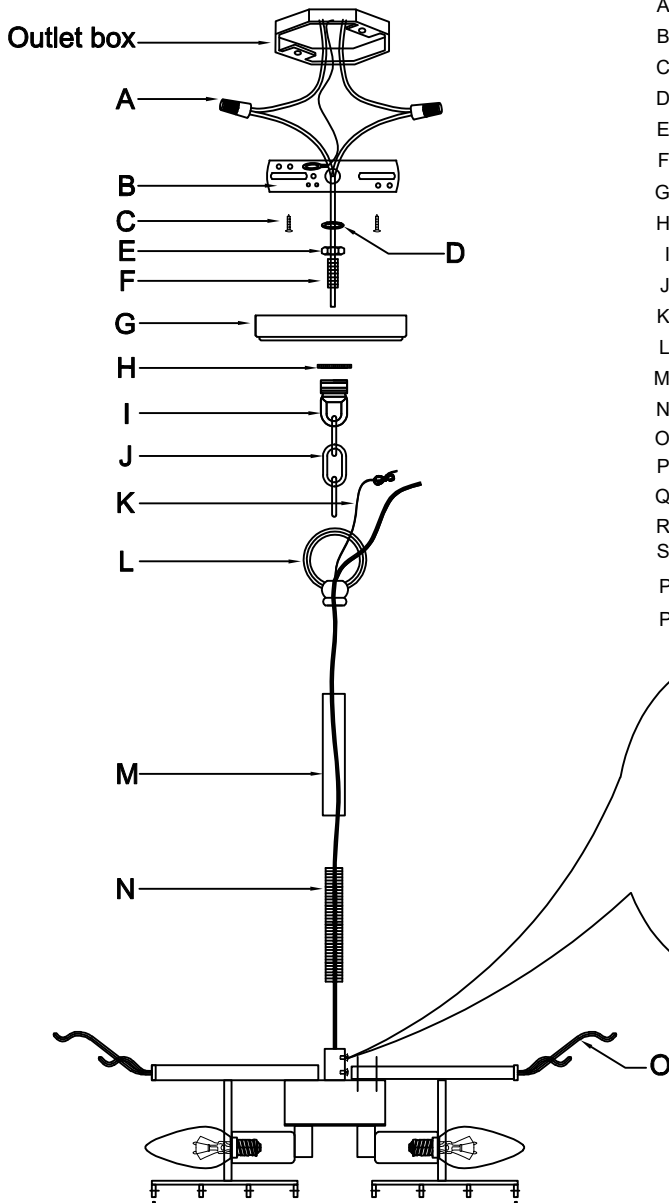
Part Number

Part Numbers

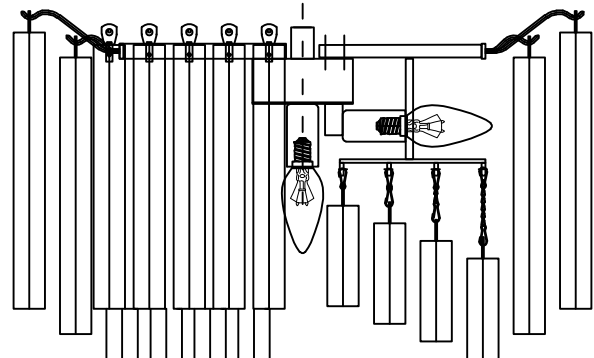
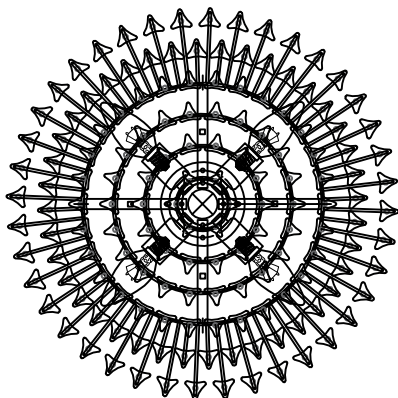
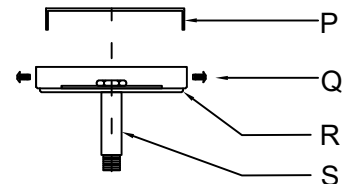
- A. (2)-Wire Connector
- B. (1)-Mounting Bar
- C. (2)-Outlet Box Screws
- D. (1)-Lock Washer
- E. (1)-Hex Nut
- F. (1)-Nipple
- G. (1)-Canopy; w4.75" x h1" (XFB5005AGCAN4.75IN)
- H. (1)-Collar Ring
- I. (1)-Collar Loop
- J. (1)-Chain; 72", 4mm (XFB5005AGCHA4MM)
- K. (1)-Ground Wire
- L. (1)-Fixture Loop
- M. (1)-Metal Tube; 4", 16MM thickness (XFB5005AGROD4IN)
- N. (1)-Threaded Pipe; 4.75", 12MM thickness
- O. (1)-Frame
- P. (1)-Mounting Plate for ceiling mount
- Q. (2)-Screws
- R. (1)-Canopy for ceiling mount; w5" x h0.8", 13mm hole (XFB5005AGCAN4.75IN_2)
- S. (1)-Metal Rod; 2", 16MM thickness (XFB5005AGROD2IN)

PART BAG I : Includes Parts A, C

PART BAG II : Includes Parts B, D, E, F, H, I



Before screwing the threaded pipe, please loosen the set screws on the side of the coupling, tighten it when the threaded pipe is screwed all the way down.



For Ceiling