

# CRYSTORAMA

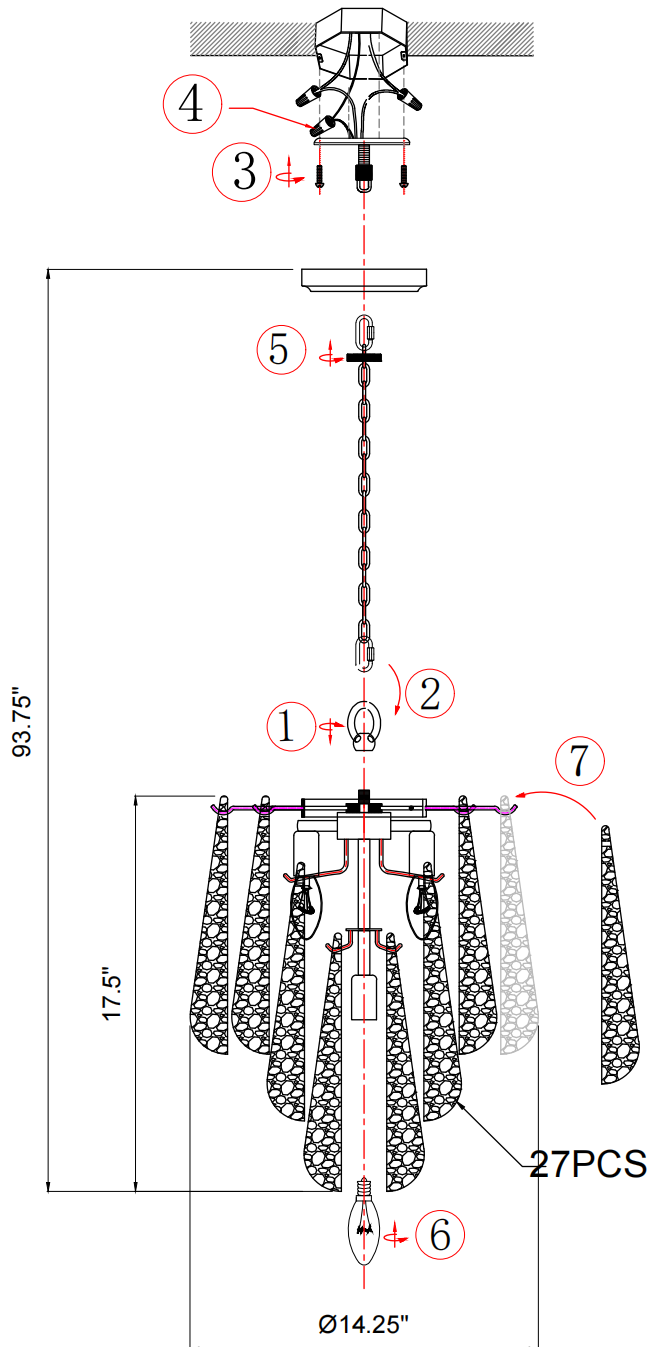
LIGHTING THE WAY FOR SIXTY YEARS



Crystorama.com

## ASSEMBLY INSTRUCTION MODEL OLL-6004-AG-GR

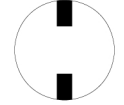
### For Pendant



### WARNING:



Electrical Danger



Turn Power Off

All electrical components must be installed by a licensed electrician in accordance with the National Electric Code and the appropriate local electrical codes.



You will need 4 Candelabra Base Bulb  
40 Watts Recommended 60 Watts Max.  
USE LED BULBS FOR EXTENDED USE  
( This fixture is Dry rated)

### How to Install

1. Decide the preferred hanging height and choose the correct length of chain needed.
2. Screw the loop onto top of frame.
3. Attach the mounting bracket onto the outlet box.
4. Raise the fixture up to the ceiling and do the wire connections . Slip the canopy up along the chain and over the mounting bracket. Secure with the collar loop ring.
5. Attach the mounting strap onto the outlet box.
6. Install recommended bulb into the socket.
7. Starting from the bottom of the frame. Dress the glass as illustrated.

### Glass Sets

1. 27 pcs Green glass 3.25" x 11.5"

**WARNING:** This product can expose you to Lead, which is known to the State of California to cause cancer and/or birth defects or reproductive harm. For more information go to [www.P65Warnings.ca.gov](http://www.P65Warnings.ca.gov)

# CRYSTORAMA

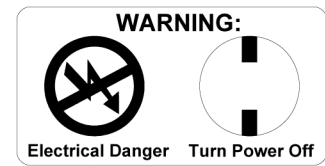
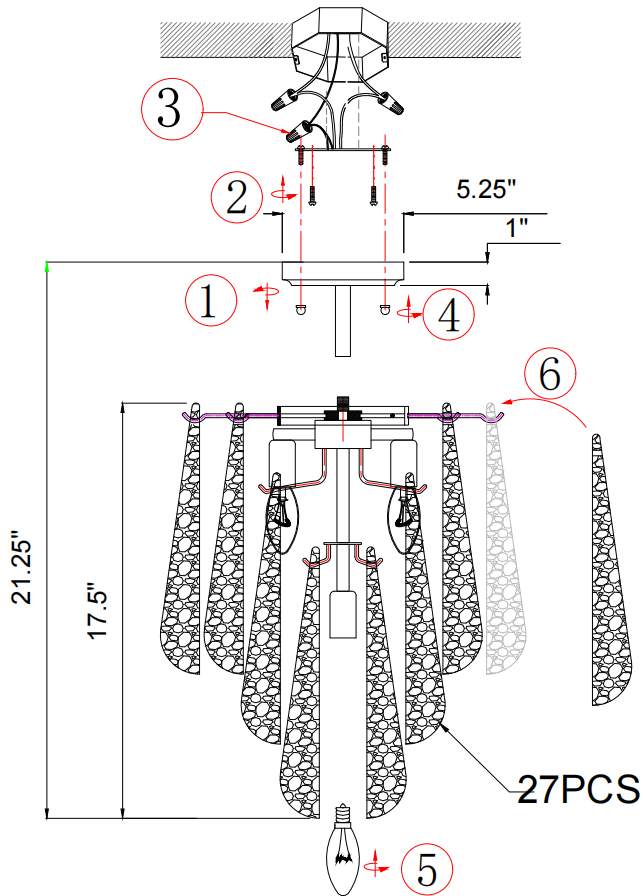
LIGHTING THE WAY FOR SIXTY YEARS



Crystorama.com

## ASSEMBLY INSTRUCTION MODEL OLL-6004-AG-GR

### For Ceiling



All electrical components must be installed by a licensed electrician in accordance with the National Electric Code and the appropriate local electrical codes.



You will need 4 Candelabra Base Bulb  
40 Watts Recommended 60 Watts Max.  
USE LED BULBS FOR EXTENDED USE  
(This fixture is Dry rated)

### How to Install

1. Screw the ceiling canopy kit onto the top of the frame.
2. Attach the mounting bracket onto the outlet box.
3. Raise the fixture up to the ceiling and do the wire connection. Secure the canopy with two ball nuts.
4. Install the recommended bulb into the socket.
5. Dress the glass as illustrated.

### Glass Sets

1. 27 pcs Green glass 3.25" x 11.5"

**WARNING:** This product can expose you to Lead, which is known to the State of California to cause cancer and/or birth defects or reproductive harm. For more information go to [www.P65Warnings.ca.gov](http://www.P65Warnings.ca.gov)

# CRYSTORAMA

LIGHTING THE WAY FOR SIXTY YEARS



Crystorama.com

PART NUMBER MODEL **OLL-6004-AG-GR**

## Part Number

### Part Numbers

- A. (1)-Mounting hardware
- B. (1)-Canopy, D5.25"\*H1"  
(XBN6004AGCAN5.25IN)
- B1. (1)Ceiling canopyD5.25"\*H1"  
Center hole D1"  
(XBN6004AGCAN5.25IN\_2)
- C. (1)-Collar ring
- D. (1)-Collar loop
- E. (1)-Chain, D4MM, L72"  
(XBN6004AGCHA4MM)
- F. (1)-Fixture loop, 1\*D2"
- G. (1)-Frame
- H. (27)-Glass, W3.25" \* H11.5"
- I. (2)-Ball nuts  
(XBN6004AGBANUT)
- J. (1)-Short Stem, D0.5"\*H2"  
(XBN6004AGROD2IN)

