

CRYSTORAMA

LIGHTING THE WAY FOR SIXTY YEARS



Crystorama.com

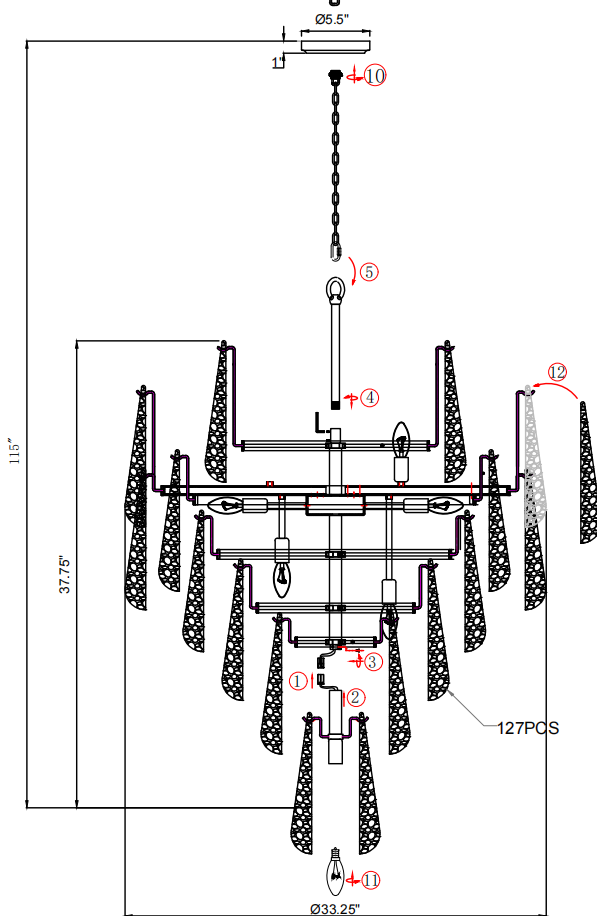
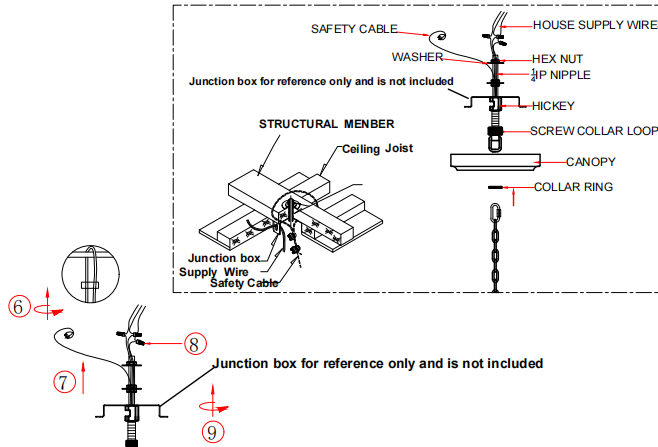
ASSEMBLY INSTRUCTION MODEL OLL-6008-AG-GR



All electrical components must be installed by a licensed electrician in accordance with the National Electric Code and the appropriate local electrical codes.



You will need 21 Candelabra Base Bulb
40 Watts Recommended 60 Watts Max.
USE LED BULBS FOR EXTENDED USE
(This fixture is Dry rated)



How to Install

1. Decide the preferred hanging height and choose the correct length of chain needed.
2. Feed the fixture wire and the safety cable through the top stem, and screw the stem onto the frame.
3. Attach one end of the 1/4 IPS threaded pipe provided onto the ceiling joist and secure with hex nut. The other end should protrude through the outlet box as shown.
4. Assemble the screw collar loop, nipple hex nut and hickey to the 1/4 IPS threaded pipe and adjust overall length to allow the collar ring to hold the canopy flush to ceiling.
5. Attach one end of the chain to the fixture loop by opening the quick link. Slide the screw collar ring over the upper end of the chain. Open the opposite quick link and lift the fixture to attach the screw collar loop to the quick link. Secure the link.
6. Feed the fixture wires, ground wires and safety cable through the chain and screw collar loop, exiting through the Hickey. Proceed with the wire connections. Wrap the safety cable around the ceiling joist and secure the cable with the clamp and set screws provided as shown. After wires are connected. Place the canopy up against the ceiling and lock by tightening the screw collar loop ring.
7. While raising the bottom light cluster up, insert the male plug from it to the female plug from the bottom of the frame. Carefully tuck the wires and plugs inside the tubing and secure it onto the bottom coupling using the screws.
8. Install recommended bulb into the socket
9. Dress the glass as illustrated

Glass Sets

1. 127 pcs Green glass 3.25"Wx11.5 "H

WARNING: This product can expose you to Lead, which is known to the State of California to cause cancer and/or birth defects or reproductive harm. For more information go to www.P65Warnings.ca.gov

CRYSTORAMA

LIGHTING THE WAY FOR SIXTY YEARS



Crystorama.com

PART NUMBER MODEL OLL-6008-AG-GR

Part Number

Part Numbers

- A. Heavy duty mounting hardware
 - (1) 1/4 IP threaded pipe
 - (1) Hickey
 - (1) threaded nipple
 - (2) metal washer
 - (3) hex nut
- B. (1)-Canopy, D 5.5"XH1"
(XBN6006AGCAN5.5IN)
- C. (1)-Collar ring
- D. (1)-Collar loop
- E. (1)-Chain, D6MM, L72"
(XBN6008AGCHA6MM)
- F. (1)-Fixture loop, D2.5"
- G. (1)-Center Stem, D0.75"*H9"
(XBN6006AGSTEM9IN)
- H. (1)-Frame
- I. (127)-Glass, W3.25" xH11.5"
- J. (1)-Bottom light cluster

