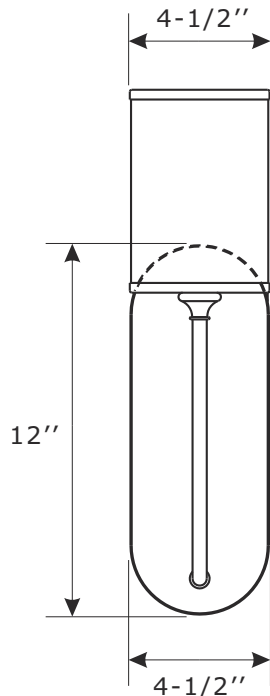
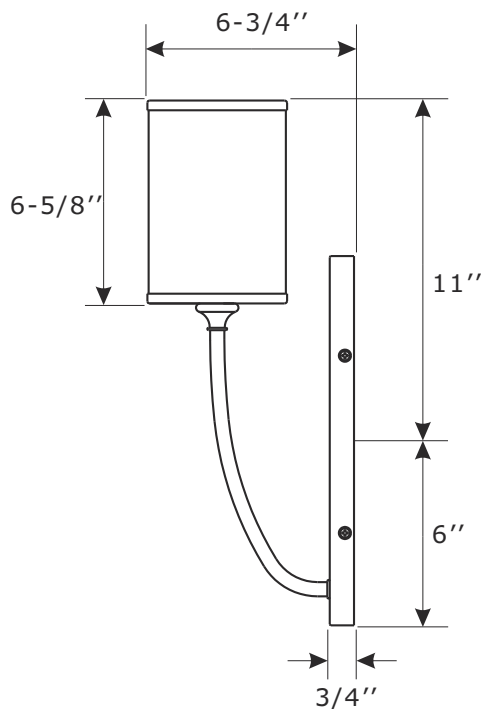




ASSEMBLY INSTRUCTION MODEL#PRE-461-VG



FRONT VIEW



SIDE VIEW

WARNING:



Electrical Danger



Turn Power off

All electrical components must be installed by a licensed electrician in accordance with the National Electric Code and the appropriate local electrical codes.



You will need 1- Candelabra Base Bulb
40 Watts Recommended 60 Watts Max.
USE LED BULBS FOR EXTENDED USE
This fixture is Damp rated

How to install

1. Place the mounting plate over the outlet box. Mark two points on the wall at the center of keyhole on the mounting plate.
2. Drill two holes at the marked points and insert the wall anchors.
3. Place the mounting plate over the outlet box and secure it with outlet box screws. Insert and tighten the anchor screws into the wall anchors until snug.
4. Install backplate onto the mounting plate, and secure with the screws.
5. Install the fabric shade onto the socket.
6. Install the bulb(not included) into the socket.



ASSEMBLY INSTRUCTION MODEL#PRE-461-VG

Part Number

Part Numbers

- A. (1)-Mounting hardware
- B. (1)-Mounting plate
- C. (1)-Backplate L12''xW4-1/2''xH3/4'' #XRF461VGBKP12IN
- D. (4)-Screw
- E. (1)-Socket
- F. (1)-Fabric shade W4-1/2''xH6-5/8'' #XRF461SHA4.5IN

