

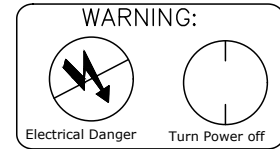
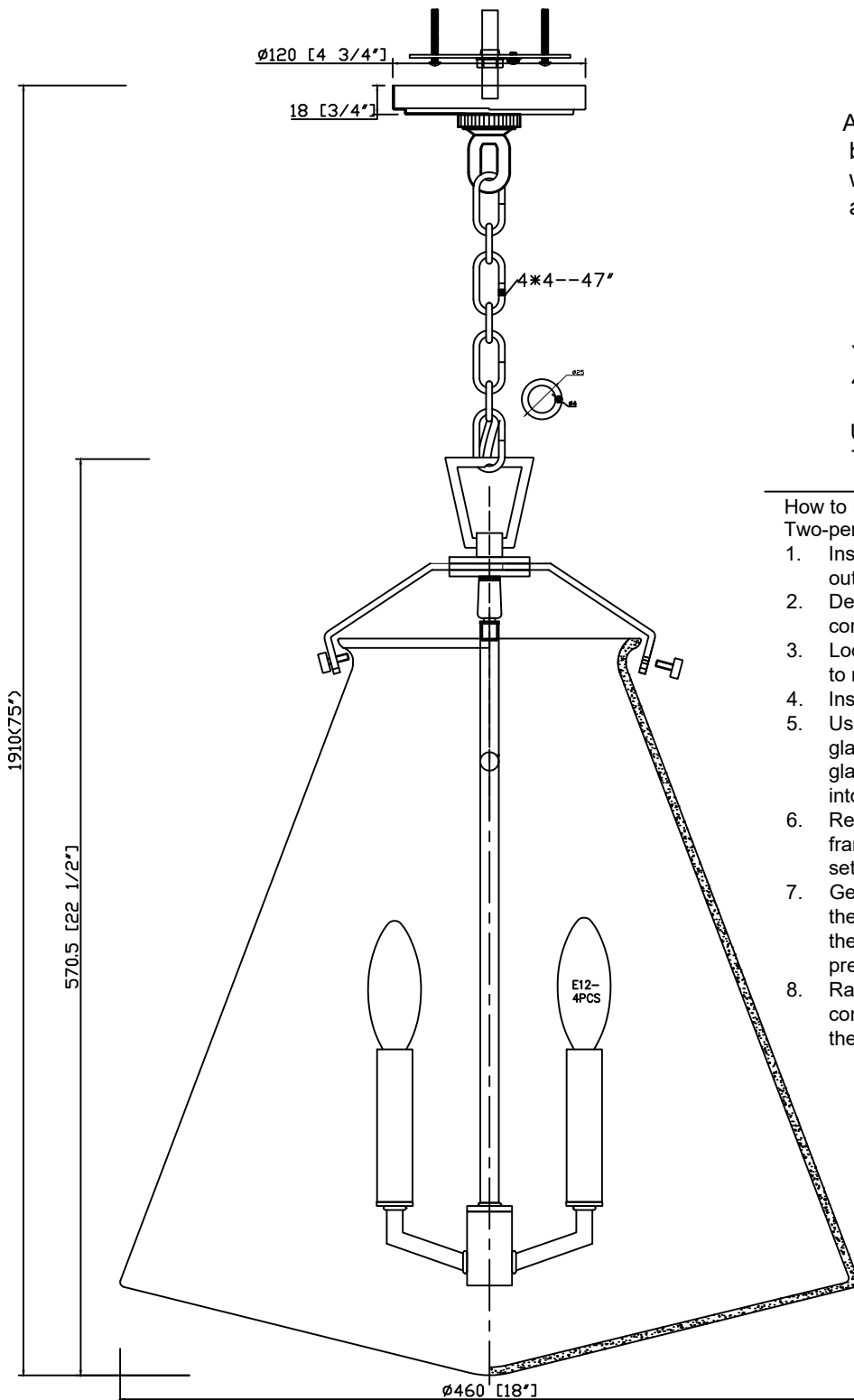
CRYSTORAMA

LIGHTING THE WAY FOR SIXTY YEARS



Crystorama.com

ASSEMBLY INSTRUCTION MODEL #VSS-7018-LG



All electrical components must be installed by a licensed electrician in accordance with the National Electric Code and the appropriate local electrical codes.



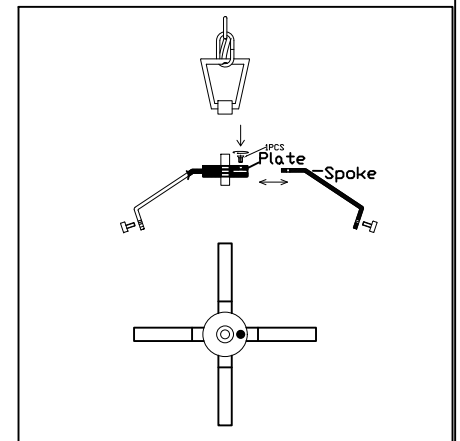
You will need 4 – Cand Bulb
40 Watts Recommended 60 Watts Max

USE LED BULBS FOR EXTENDED USE
This fixture is Damp rated.

How to Install

Two-person installation recommended.

1. Install the mounting bar onto the outlet box using two outlet box screws.
2. Decide the preferred hanging height and choose the correct length of chain needed.
3. Loosen the flat head screw on the plate of the frame to remove the spoke out of the plate.
4. Install the bulb onto the socket.
5. Using the foam block within the carton, gently rest the glass shade onto it. As one person securely holds the glass, the second person can insert the light cluster into the glass shade.
6. Reinstall the removed spoke by inserting it into the frame plate. Then secure it by tightening the flat head set screw with enclosed Hex wrench.
7. Gently and Slowly twist the frame around to ensure the spokes hold onto the glass evenly. Then secure the frame with the cap nuts. DO NOT over tighten to prevent the glass from breaking.
8. Raise the fixture up to the ceiling and make the wire connections. Cover with canopy and secure all with the collar loop.



WARNING: This product can expose you to Lead, which is known to the State of California to cause cancer and/or birth defects or reproductive harm. For more information go to www.P65Warnings.ca.gov

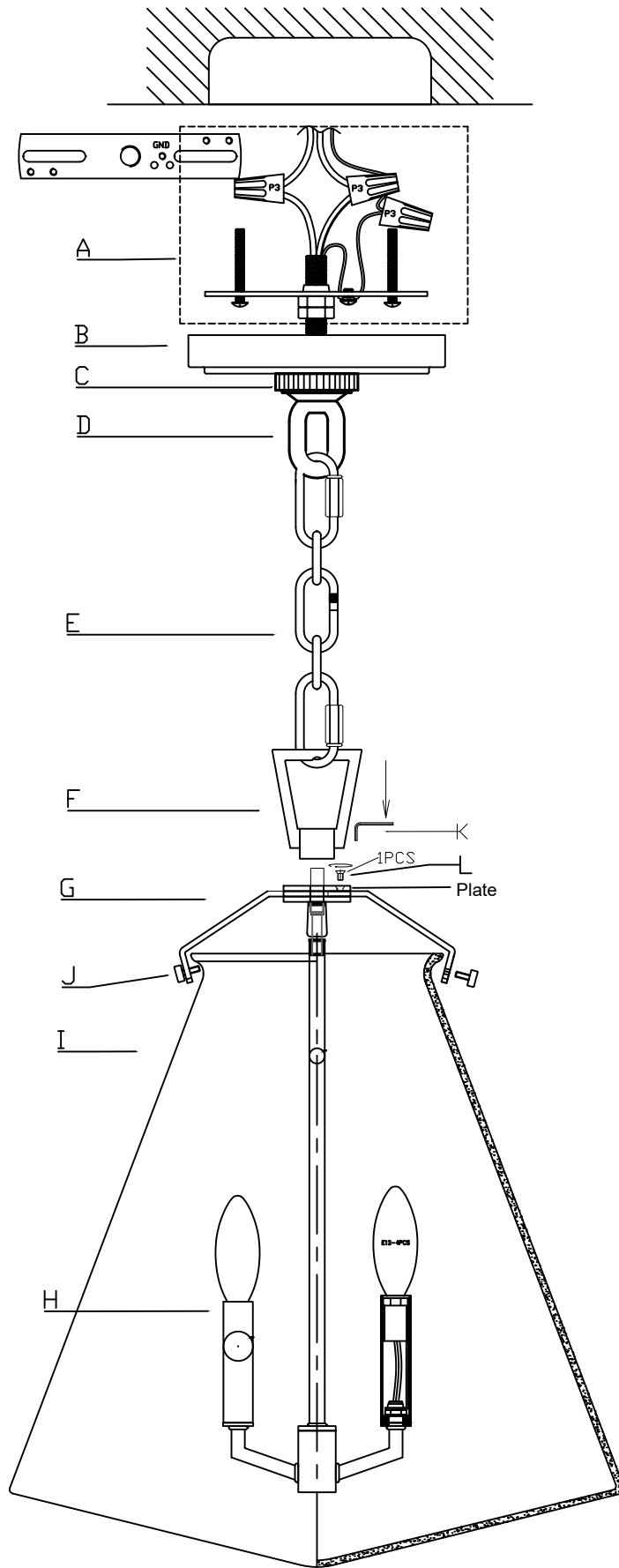
CRYSTORAMA

LIGHTING THE WAY FOR SIXTY YEARS



Crystorama.com

ASSEMBLY INSTRUCTION MODEL #VSS-7018-LG



Part Number

Part Numbers

- A. (1)-Mounting hardware
- B. (1)-Canopy(XAR7003LGCAN4.75IN)
- C. (1)-Collar loop ring
- D. (1)-Screw collar loop
- E. (1)-Chain T4MM*L47"
(XAR7002LGCHA4MM)
- F. (1)-Fixture loop
- G. (1)-Frame
- H. (1)-Light cluster
- I. (1)-Clear glass shade Ø18"*H18"
(XAR7018GLA18IN)
- J. (4)-Cap nut
- K. (1)- Hex Wrench
- L. (1)-Flat head screw